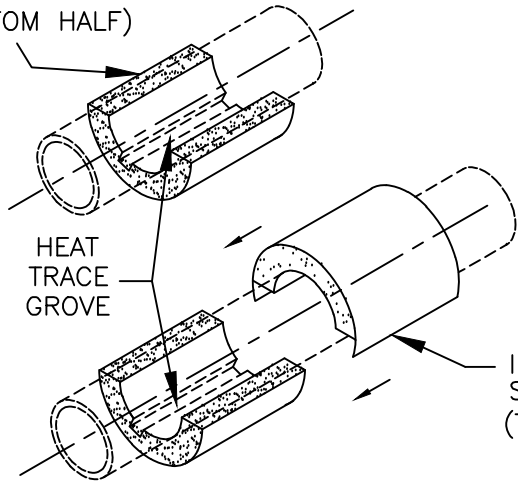




Pipe Shields, Inc.

INSULATED SHIELD
(BOTTOM HALF)



HEAT
TRACE
GROVE

INSULATED
SHIELD
(TOP HALF)

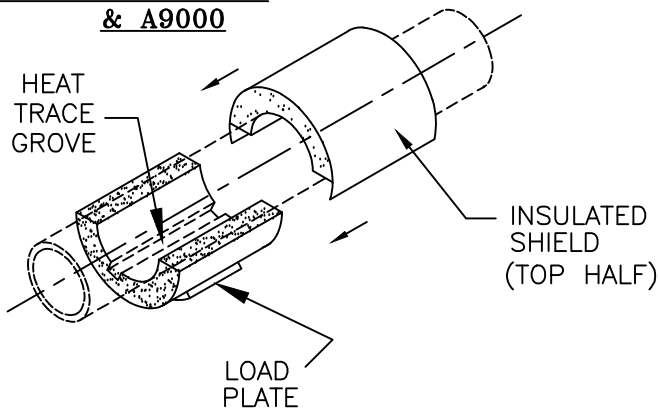
1

POSITION THE BOTTOM HALF OF THE INSULATED HANGER SHIELD (INSULATING STRUCTURAL MATERIAL AND SHEET METAL JACKET AND LOAD PLATE WHERE APPLICABLE.) ON THE PIPE AT THE APPLICABLE SUPPORT LOCATION AS SHOWN.

2

HOLD FIRMLY THE TOP HALF OF THE SHIELD. OPEN THE OVERLAPPING SHEET METAL JACKET AND GENTLY SLIDE INTO POSITION THE TOP HALF OF THE INSULATED SHIELD OVER THE BOTTOM HALF SHIELD AS SHOWN.

**MODEL A1000-A4000
& A9000**

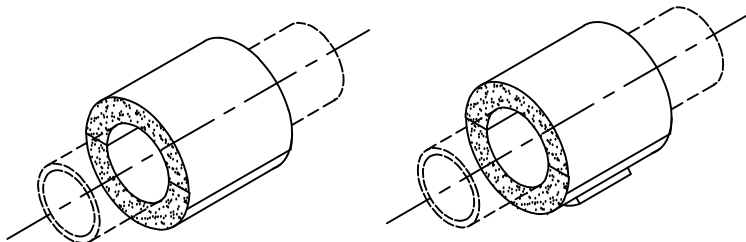


HEAT
TRACE
GROVE

INSULATED
SHIELD
(TOP HALF)

LOAD
PLATE

MODEL A5000-A8400



**COMPLETED ASSEMBLY
WITHOUT LOAD PLATE**

**COMPLETED ASSEMBLY
WITH LOAD PLATE**

NOTES:

- 1) WHEN USED ON A FLAT SURFACE, POSITION SHIELD SO THAT IT IS CENTERED ON THE STRUCTURAL STEEL.
- 2) WHEN USED WITH A CLEVIS HANGER, POSITION SHIELD SYMMETRICALLY.

NOTE: WHEN MODELS INCLUDE HEAT TRACE GROVES, THE NUMBER AND LOCATION MAY VARY. CHECK WITH DESIGN DRAWINGS FOR EXACT NUMBER AND LOCATION. ENSURE THAT THE HEAT TRACING CABLE IS PROPERLY POSITIONED INSIDE THE GROVE OF THE SHIELD.

MODEL: A1000-A9000 SERIES

INSULATED PIPE SUPPORT

INSTALLATION INSTRUCTIONS