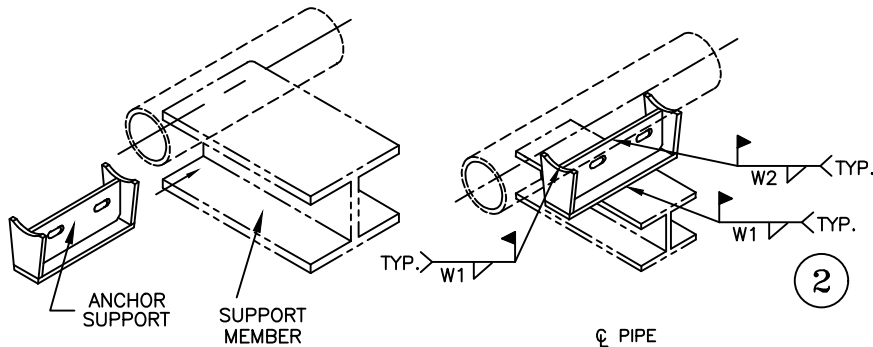
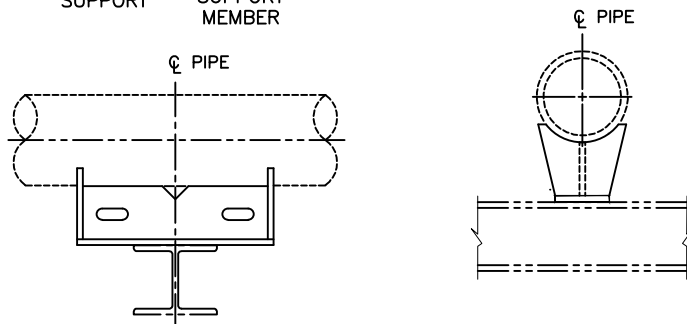


1 A) POSITION AND SLIDE ANCHOR SUPPORT BETWEEN THE CENTER LINE OF THE PIPE AND THE SUPPORT MEMBER.

**MODEL C1000-C1030
WELDED**



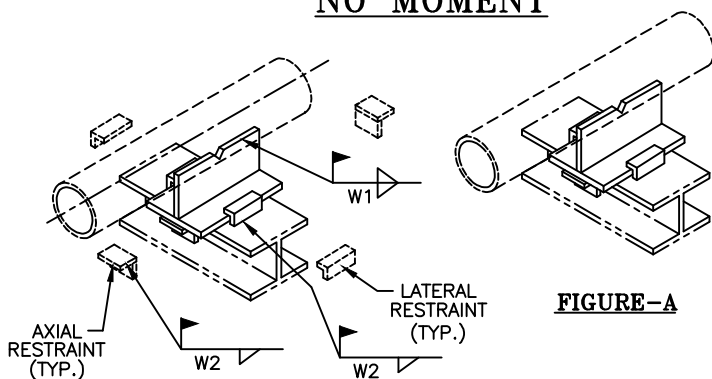
2 A) WHEN PROPERLY POSITIONED, WELD THE ANCHOR SUPPORT TO THE SUPPORT MEMBER AND TO THE PIPE AS SHOWN. SELECT "W" (WELD SIZE) THAT CORRESPONDS WITH THE PIPE SIZE AND MODEL DESIGNATION OF THE UNIT. (SEE TABLE 1 FOR MODEL C1000-C1030, TABLE 2 FOR MODEL C1000-C1100, TABLE 3 FOR MODEL C2000-2030 ON SHEET 2).



**MODEL C2000-C2030
NO MOMENT**

3 A) LOCATE AND POSITION AXIAL RESTRAINTS AS SHOWN. WHEN PROPERLY POSITIONED WELD THEM TO THE BASE PLATE AS SHOWN. SELECT "W" (WELD SIZE) THAT CORRESPOND WITH THE PIPE SIZE AND MODEL DESIGNATION OF THE UNIT.

4 A) LOCATE AND POSITION LATERAL RESTRAINT. (SEE FIGURE-A FOR POSITIONING). WHEN PROPERLY POSITIONED, WELD THEM TO THE BASE PLATE AS SHOWN. SELECT "W" (WELD SIZE) THAT CORRESPOND WITH THE PIPE SIZE AND MODEL DESIGNATION OF THE UNIT.



**MODEL C1000-C1100
GUIDED**

**MODEL: C1000-C2030 SERIES
WELDED PIPE ANCHOR (WELDED, GUIDED, NO MOMENT)
INSTALLATION INSTRUCTIONS**



PIPE SIZE	C1000		C1010		C1020		C1030	
	W1 SIZE	W2 SIZE	W1 SIZE	W2 SIZE	W1 SIZE	W2 SIZE	W1 SIZE	W2 SIZE
2"	3/16	3/16"	3/16	3/16"	3/16	3/16"	3/16	3/16"
3"	3/16	3/16"	3/16	3/16"	3/16	3/16"	3/16	3/16"
4"	3/16	3/16"	3/16	3/16"	3/16	3/16"		
6"	3/16	3/16"	3/16	3/16"	3/16	3/16"		
8"	3/16	3/16"	3/16	3/16"				
10"	3/16	3/16"	3/16	3/16"				
12"	3/16	3/16"	3/16	3/16"				
14"	3/16	3/16"						
16"	3/16	3/16"						

PIPE SIZE	C1000 SERIES		C1100 SERIES	
	W1	W2	W1	W2
1"	3/16"	3/16"	3/16"	3/16"
1.5"	3/16"	3/16"	3/16"	3/16"
2"	3/16"	3/16"	3/16"	3/16"
2.5"	3/16"	3/16"	3/16"	3/16"
3"	3/16"	3/16"	3/16"	3/16"
3.5"	3/16"	3/16"	3/16"	1/4
4"	3/16"	3/16"	3/16"	1/4
5"	3/16"	3/16"	3/16"	1/4
6"	3/16"	3/16"	3/16"	1/4

PIPE SIZE	C2000		C2010		C2020		C2030	
	W1 SIZE	W2 SIZE	W1 SIZE	W2 SIZE	W1 SIZE	W2 SIZE	W1 SIZE	W2 SIZE
8"	3/16	3/16	3/16	3/16	3/16	3/16	3/16	3/16
10"	3/16	3/16	3/16	3/16	3/16	3/16	3/16	3/16
12"	3/16	3/16	3/16	3/16	3/16	3/16	3/16	3/16
14"	3/16	3/16	3/16	3/16	3/16	3/16		
16"	3/16	3/16	3/16	3/16				
18"	3/16	3/16						
20"	3/16	3/16						
24"								
26"								
28"								
30"								

MODEL: C1000-C2030 SERIES
WELDED PIPE ANCHOR (WELDED, GUIDED, NO MOMENT)
INSTALLATION INSTRUCTIONS