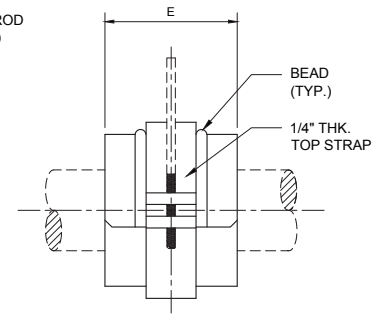
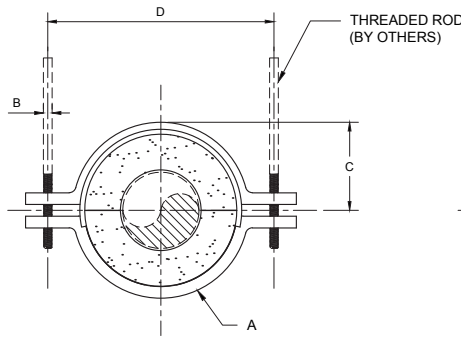
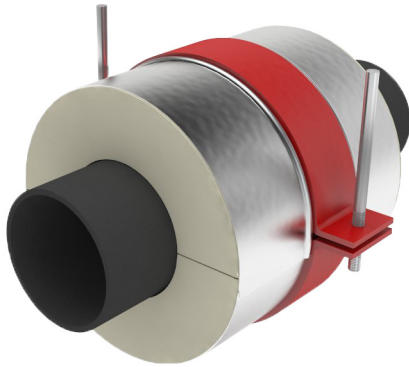


Model D6100 Insulated 2-Rod Hanger



The load ratings represent average values obtained in accordance with accepted test methods and are subject to normal manufacturing variations. Dimensions and ratings are subject to change without notice. Available in all insulation thickness.

Contact factory for current information.

Note: For higher load ratings, see: D6200.

Pipe Size	Vert load lbs.	A	B	Insul. Thk. 1"			Insul. Thk. 2"			Insul. Thk. 3"			Insul. Thk. 4"		
				C	D	E	C	D	E	C	D	E	C	D	E
5	1200	1/2x3	0.50	4.13	11.25	6	5.13	13.25	6	6.18	15.375	6	7.31	17.625	6
6	1600	1/2x3	0.50	4.63	12.25	6	5.68	14.375	6	6.68	16.375	6	7.81	18.625	6
8	2600	1/2x3	0.63	5.68	14.625	6	6.68	16.625	6	7.81	18.875	6	8.81	20.875	6
10	4000	5/8x3	0.75	6.69	17.125	6	7.81	19.375	6	8.81	21.375	6	9.81	23.375	9
12	4800	3/4x3	0.75	7.81	19.875	6	8.81	21.875	6	9.81	23.875	6	10.81	25.875	9
14	5000	3/4x3	0.75	8.31	20.875	6	9.31	22.875	6	10.31	24.875	9	11.31	26.875	9
16	6150	1x3	0.88	9.31	24.125	6	10.31	26.125	9	11.31	28.125	9	12.31	30.125	9
18	6150	1x4 1/2	0.88	10.31	26.125	9	11.31	28.125	9	12.31	30.125	9	13.31	32.125	9
20	6150	1x4 1/2	0.88	11.31	28.125	9	12.31	30.125	9	13.31	32.125	9	14.31	34.125	12
24	8550	1x4 1/2	1.00	13.31	32.375	9	14.31	34.375	12	15.31	36.375	12	16.31	38.375	12
30	8550	1x4 1/2	1.25	16.31	38.875	12	17.31	40.875	12	18.31	42.875	12	19.31	44.875	12

TABLE I

Application:

D6100 is designed for use on:

- Hot water
- Cold water
- Chilled water
- Dual temperature
- Steam
- Air
- Gas
- Vacuum

Intended to be hung from two threaded rods in close overhead clearance conditions.

Temperature Range:

Standard: +40°F to +1200°F CalSil Insulation

Note: Up to 1800°F available upon request.

Cryogenic: -275°F to +275°F Urethane Insulation.

Add U after the model number (i.e., D6100U)

Features:

- Compact
- Easy installation
- Eliminates welding to pipe
- Copper tubing sizes and pipe sizes
- Overlapping galvanized sheet metal jacket
- Minimizes heat-loss and/or condensation
- Minimal overhead clearance requirement
- Other I.D.'s and/or O.D.'s available on request

Performance test results on file:

Available upon request.

Material Data:

- **D6100:** Applicable PSI specification document: No. 209.
- **Insulation:** Calcium silicate asbestos-free, treated with water repellent.
- **Jackets:** Galvanized steel ASTM A-653.
- **Glue:** Industrial contact adhesive
- **Structural Inserts:** High-density calcium silicate asbestos free, treated with water repellent.
- **Steel Straps:** Carbon steel ASTM A-36.
- **Fasteners:** ASTM A-307 plated.
- **Coating:** Primer coated or hot dipped galvanized. Other coatings available upon request

Formal submittal sheets available