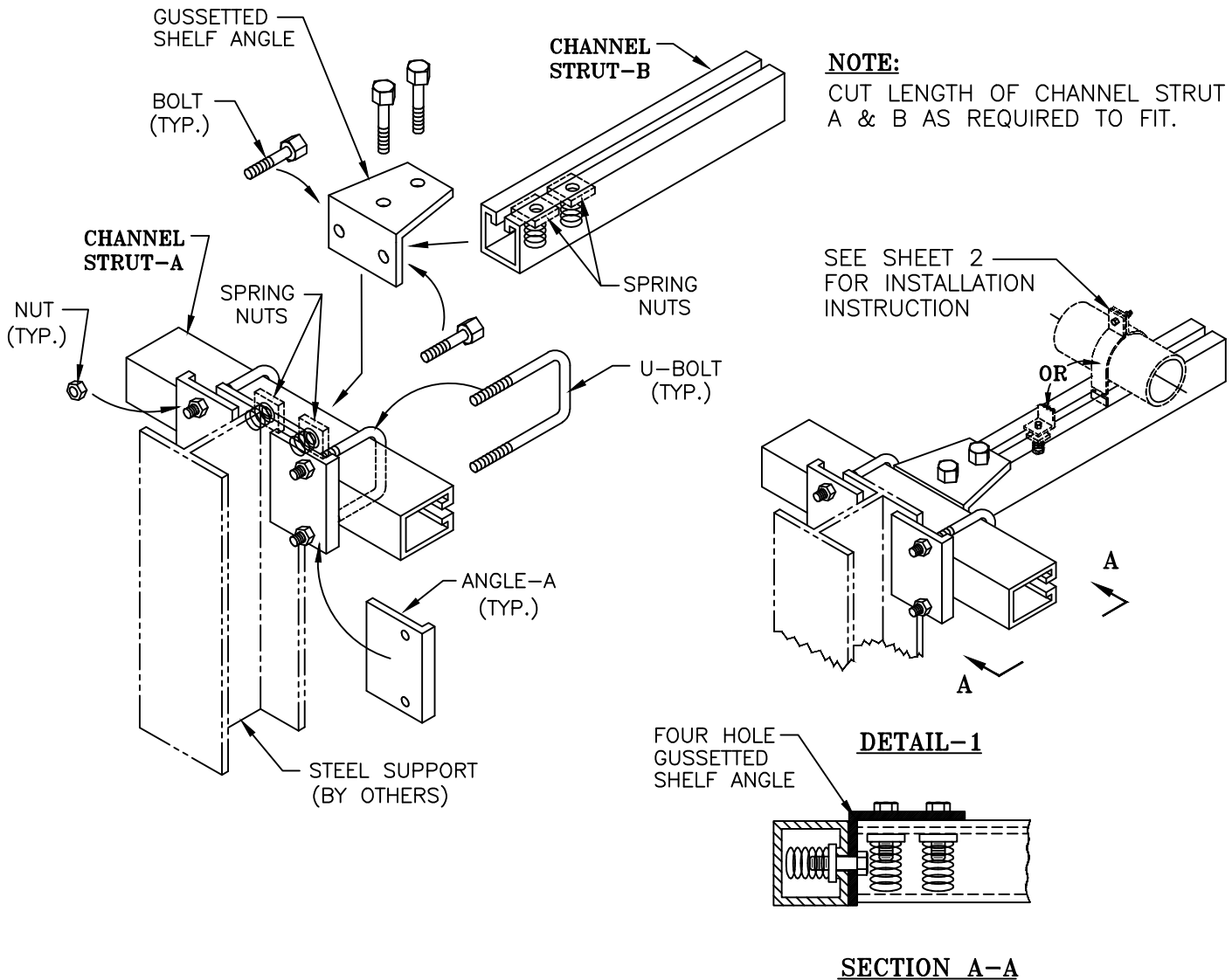


- 1 A) LOCATE AND POSITION THE CHANNEL STRUT-A AT THE APPLICABLE SUPPORT STEEL AS SHOWN. B) WHEN PROPERLY POSITIONED, PLACE THE ANGLE, U-BOLT AND NUT AS SHOWN (TYP. 2 PLACES). C) APPLY TORQUE EQUAL TO 13-15 ft.-lbs ON THE NUTS.

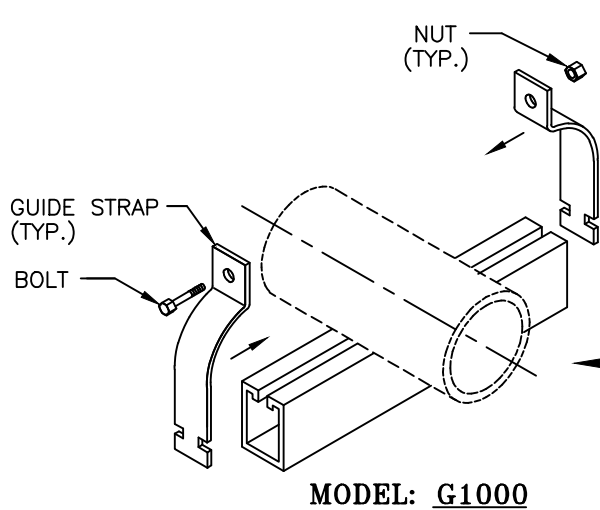
- 2 A) ATTACH THE GUSSETED SHELF ANGLE ON THE CHANNEL STRUT AS SHOWN, SEE SECTION A-A. B) INSTALL THE BOLTS THROUGH THE SPRING NUT AND TIGHTEN UNTIL SNUG TIGHT.

- 3 POSITION THE CHANNEL STRUT-B ON THE GUSSETED SHELF ANGLE AS SHOWN (SEE DETAIL-1) AND INSTALL THE BOLTS AND TIGHTEN UNTIL SNUG TIGHT.

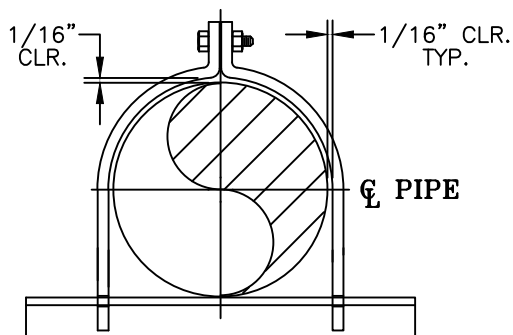


## MODEL: G1000-G2000 SERIES

### INSTALLATION INSTRUCTIONS

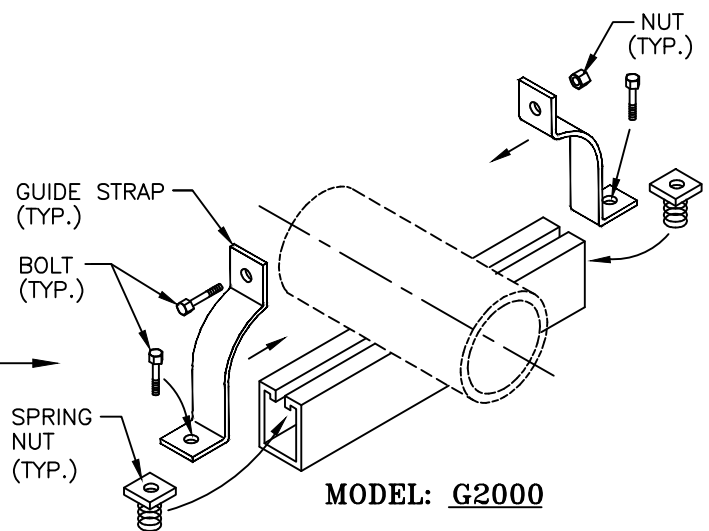


- 1 POSITION THE GUIDE STRAPS AT THE APPLICABLE SUPPORT LOCATION AS SHOWN.
- 2 INSTALL THE BOLT THROUGH THE TOP EARS OF THE STRAPS AND HAND TIGHTEN NUT UNTIL SNUG TIGHT.

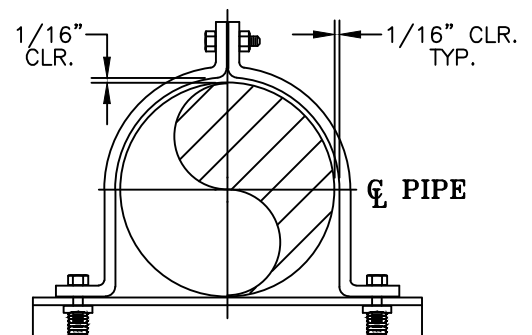


**FIGURE 2**  
**MODEL: G1000**

**NOTE:**  
PROVIDE 1/16" RADIAL CLEARANCE ALL AROUND BETWEEN THE SHIELD AND THE STRAP EXCEPT AT THE BOTTOM AS SHOWN IN FIGURE 1 AND FIGURE 2.



- 1 POSITION THE GUIDE STRAPS AT THE APPLICABLE SUPPORT LOCATION AS SHOWN.
- 2 INSTALL THE BOLTS, NUT AND SPRING NUT AS SHOWN. HAND TIGHTEN NUT AND BOLT UNTIL SNUG TIGHT.
- 3 A) INSTALL THE BOLTS THROUGH THE TOP EARS OF THE STRAPS AND HAND TIGHTEN NUTS. B) INSTALL THE BOLTS THROUGH THE BOTTOM EARS OF THE STRAPS AND THE SPRING NUTS AND HAND TIGHTEN UNTIL SNUG TIGHT.



**FIGURE 1**  
**MODEL: G2000**

## MODEL: G1000-G2000 SERIES INSTALLATION INSTRUCTIONS